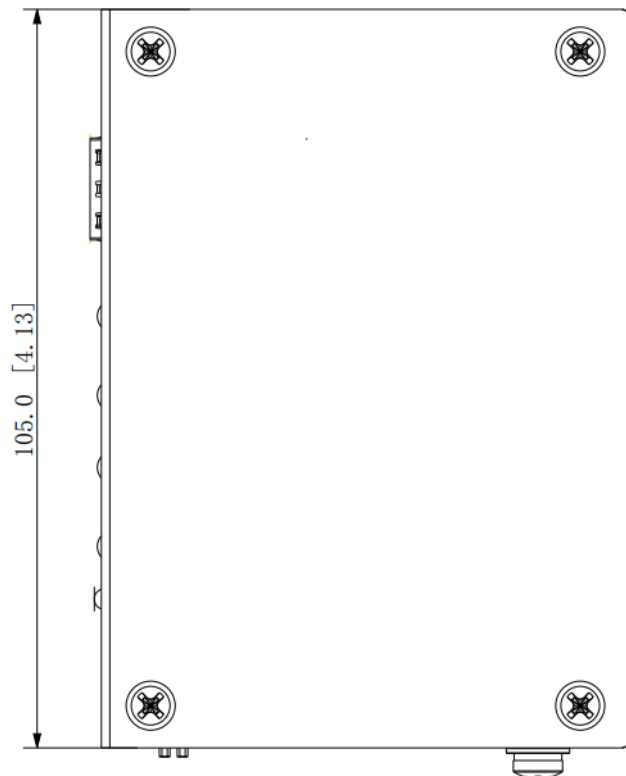
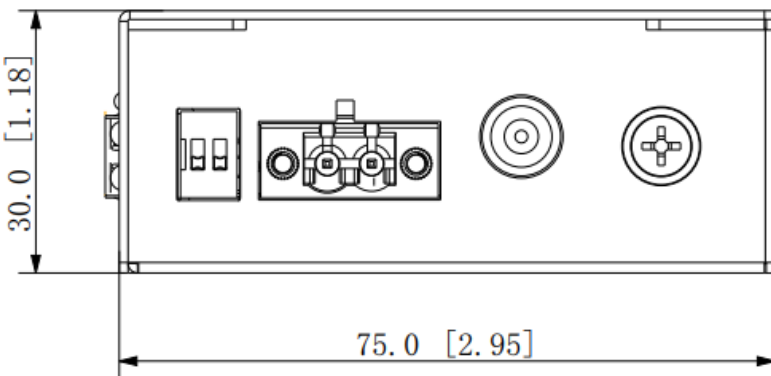


E-EFS-0201-60-60

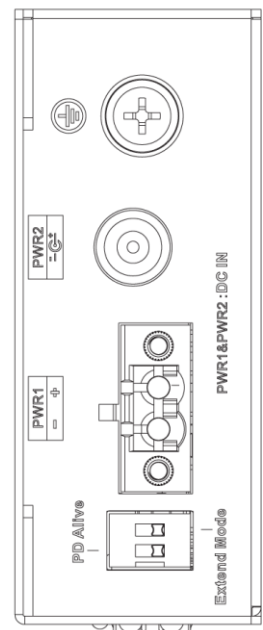
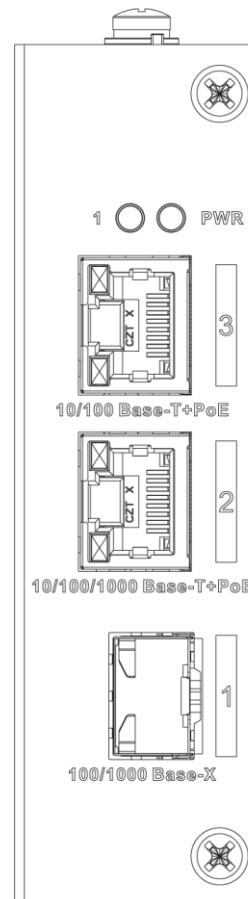
3 Port Desktop Switch with 2 PoE Ports



Dimensions mm (inch)



Panels



Technical Specification

Hardware

Data Transmission Port	Port 3: 1 × RJ-45 10/100M (PoE) Port 2: 1 × RJ-45 10/100/1000M (PoE) Port 1: 1 × SFP 100/1000M (uplink)
Power Supply	48 V - 57 V DC
Operating Temperature	-30 °C to +65 °C
Operating Humidity	5% – 95% (RH)
Power Consumption	Idling: 3 W Full load: 60 W

Performance

Capacity	7.6 Gbps
Packet Forwarding Rate	4.17 Mbps
Packet Buffer Memory	1 Mbit
MAC Table Size	8K
Communication Standard	IEEE802.3/IEEE802.3u/IEEE802.3X/IEEE 802.3ab/IEEE 802.3z

PoE

PoE Protocol	IEEE 802.3af; IEEE 802.3at; Hi-PoE
PoE Power	Port 2-3 ≤ 60 W (Hi-PoE), total ≤ 60 W
Power Consumption Management	Yes
PoE Pin Assignment	1, 2, 4, 5 (V+), 3, 6, 7, 8 (V-)
Long Distance PoE Transmission	250 m long distance PoE transmission

General

Statics Protection	Air discharge: 8kV Contact discharge: 6kV
Lighting Protection	Common mode: 4 kV Differential mode: 2 kV
Net Weight	0.28 kg
Product Dimensions	105 mm × 75 mm × 30 mm